



[I-21/392/2023-W&M Section]  
GOVERNMENT OF INDIA/भारत सरकार  
MINISTRY OF CONSUMER AFFAIRS, FOOD AND PUBLIC DISTRIBUTION  
उपभोक्ता मामले, खाद्य एवं सार्वजनिक वितरण मंत्रालय  
DEPARTMENT OF CONSUMER AFFAIRS/ उपभोक्ता मामले विभाग  
LEGAL METROLOGY DIVISION/ विधिक मापविज्ञान प्रभाग

Krishi Bhawan/कृषि भवन, नई दिल्ली  
Dated/दिनांक:- 21.03.2024

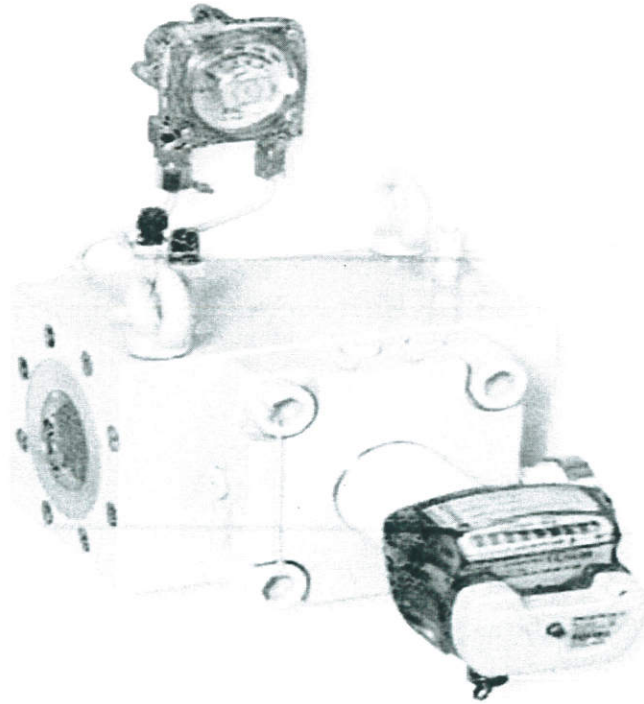
Certificate of Approval of Model/ मॉडल का अनुमोदन प्रमाणपत्र

Whereas the Central Government, after considering the report submitted to it by the prescribed authority along with the EU type-examination certificate no. **DE-07-MI002-PTB018, Revision 5** issued by PTB, Germany, is satisfied that the model described in the said report (see the figure given below), is in conformity with the provisions of the Legal Metrology Act 2009(1 of 2010) and the Legal Metrology (Approval of Models) Rules, 2011 and the said model is likely to maintain its accuracy over periods of sustained use and to render accurate service under varied conditions;

Now, therefore, in exercise of the powers conferred by section 22 of the Legal Metrology Act, 2009 (1 of 2010) read with sub-rule (6) of rule 8 and sub-rule (4) of rule 11 of the Legal Metrology (Approval of Models) Rules, 2011 and as per the Directive 2014/32/EU of the European Parliament, the Central Government hereby issues the certificate of approval of the model of Gas Meter, Type: "Delta S-Flow" of accuracy class: 1.0 (hereinafter referred to as the said model), manufactured by M/s Dresser Utility Solutions GmbH, HardeckstraBe 2, 76185 Karlsruhe and imported & marketed in India without any alteration before or after sale by M/s Genus Power Infrastructures Ltd, SP-1-2317, RIICO Industrial Area, Ramchandrapura, Sitapura Extn., Jaipur-302022, Rajasthan which is assigned the approval mark IND/09/24/142 (the picture of the model is given below as Figure 1);

**Valid until: 09.07.2027**

Figure 1



*Ashutosh Aggarwal*



**Characteristics of the measuring instrument:**

Accuracy Class	1.0
Temperature range	Gas and ambient temperature for devices in operation: -25 °C to +55 °C
Environmental Classes	Mechanical: class M1 Electromagnetic: class E2

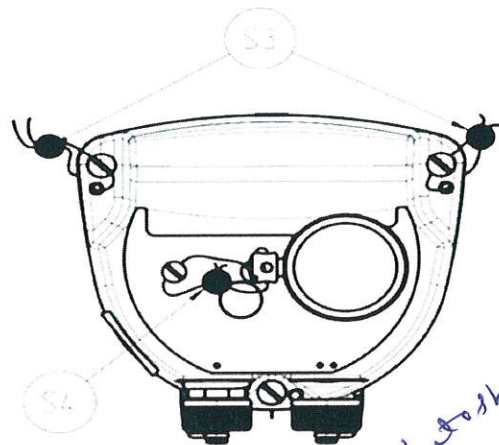
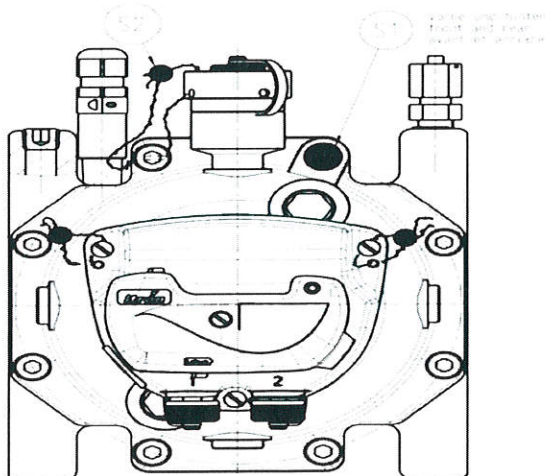
**Measurement Range:**

**1. Meters with a cyclic volume of 0.49 dm<sup>3</sup>**

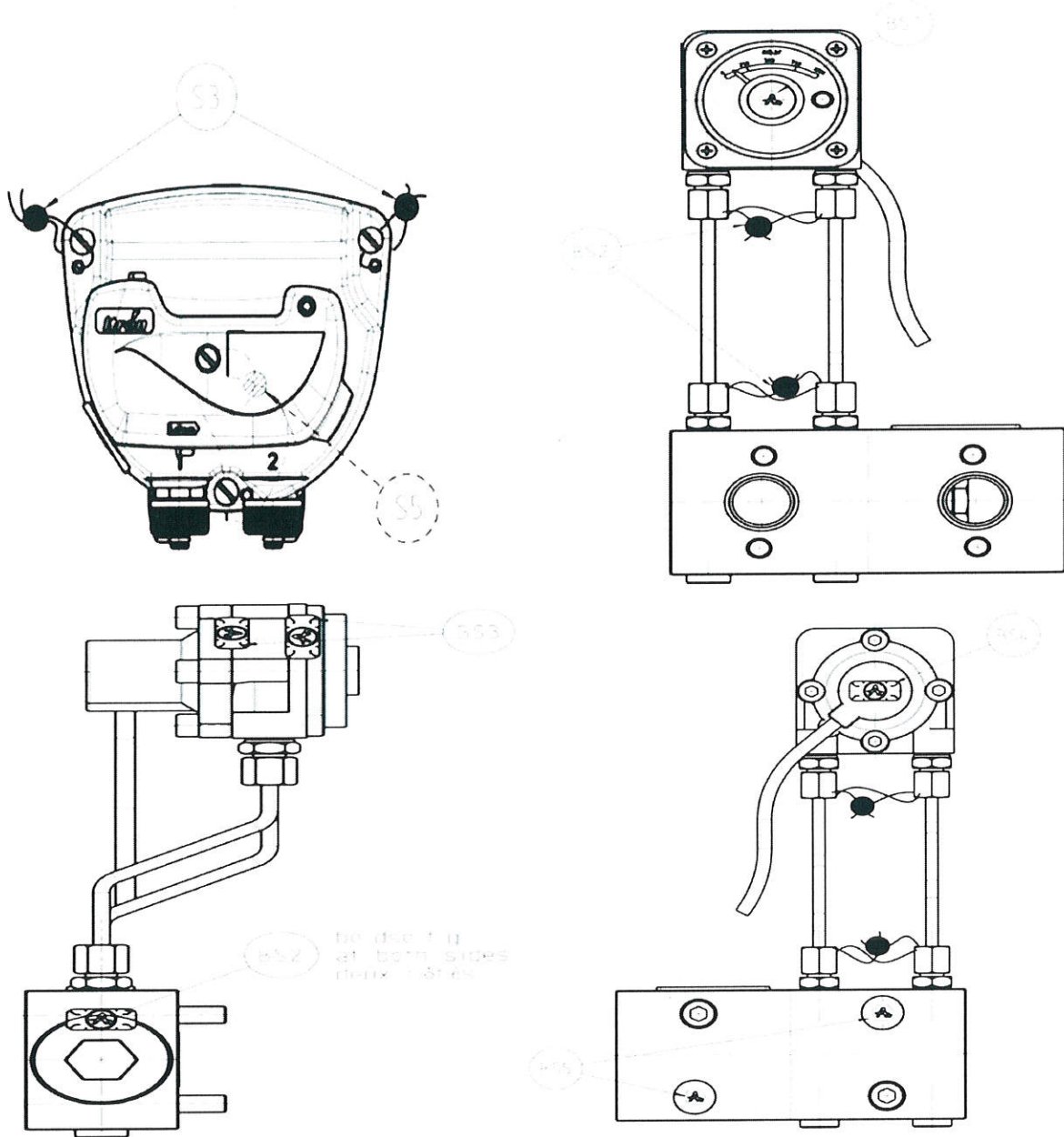
Designation	Q <sub>max</sub>	Q <sub>min</sub>									
	m <sup>3</sup> /h	m <sup>3</sup> /h									
DN50		1:250	1:200	1:160	1:130	1:100	1:80	1:65	1:50	1:30	1:20
G16	25	-	-	-	-	-	-	-	-	0,8 5	1,3 5
G25	40	-	-	-	-	-	-	0,65 2	0,8 4	1,3 8	2 8
G40	65	-	-	-	-	0,65 3,2	0,8 3,2	1 3,2	1,3 6,5	2 13	3,2 13
G65	100	-	-	0,65 5	0,8 5	1 5	1,3 5	1,6 5	2 10	3 20	5 20
G100	160	0,65 8	0,8 8	1 8	1,2 8	1,6 8	2 8	2,5 8	3 16	5 32	8 32

**2. Meter with a cyclic volume of 5.4 dm<sup>3</sup>**

Designation	Q <sub>max</sub>	Q <sub>min</sub>									
	m <sup>3</sup> /h	m <sup>3</sup> /h									
DN100/150		1:250	1:200	1:160	1:130	1:100	1:80	1:65	1:50	1:30	1:20
G250	400	-	-	-	-	4 20	5 20	6,5 20	8 40	13 80	20 80
G400	650	-	-	4 32	5 32	6,5 3	8,1 32	10 32	13 65	20 130	32 130
G650	1000	4 50	5 50	6,5 50	7,7 50	10 50	12,5 50	16 50	20 100	32 200	50 200



*Ashutosh Aggarwal*



**Figure-2 (Sealing Provision)**

A typical schematic diagram of sealing provision to prevent the fraudulent practices of the model is given above as Figure 2.

[F.No. I-21/392/2023-W&M Section]

*Ashutosh Agarwal*

(Ashutosh Agarwal/आशुतोष अग्रवाल)  
 Director (Legal Metrology) to Govt. of India/ निदेशक (विधिक माप विज्ञान) भारत सरकार  
 Phone/दूरभाष 01123389489  
 Email/ई-मेल: dirwm-ca@nic.in

Online application no. 17200